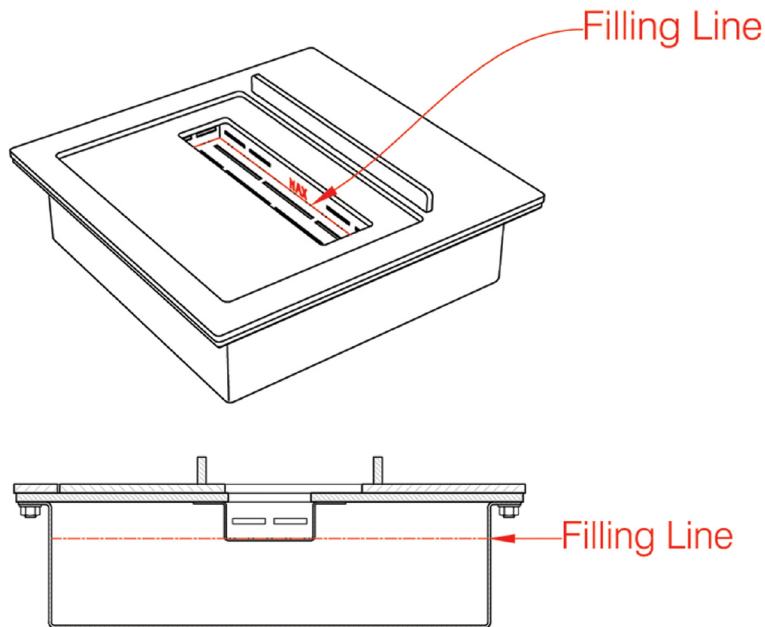


## TO START THE FIREPLACE

---

**IMPORTANT:** Please ensure the burner is removed from the main body before filling with fuel.



To fill the Combustion Chamber, remove it from the Main Body using the Lifting Handles and pour fuel inside the Vent Opening being careful not to spill. Fill up to the fill line as indicated in red with no more than 1,7L of fuel. After filling is done, wipe away any spilled or excess fuel before returning the Combustion Chamber to the Mount Plate opening.

**NOTE:** after filling the combustion chamber, place the fuel canister used to fill it with at a safe distance away before proceeding to start the fireplace.